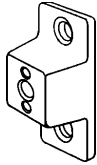
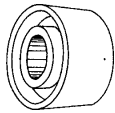


SPACERS / DISTANCE BLOCKS



- Provides side clearance interior drawer & pull-out shelves.
- 2 mounting holes 32mm apart.
- White plastic, sold by the each.

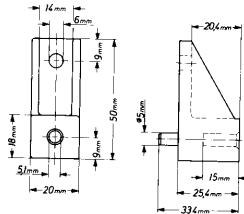
ORDER #	SIZE	PKG.	UNIT
3600WH-22	1/2"	100	EACH
3601WH-22	3/4"	100	EACH
3602WH-22	1"	100	EACH



- 1" overall diameter.
- 1/4" screw hole.
- White plastic.
- Sold by the each.

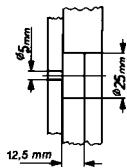
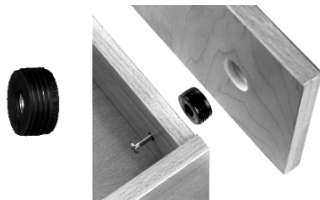


ORDER #	SIZE	PKG.	UNIT
3611WH-22	1/2"	100	EACH



- Provides side clearance interior drawer & pull-out shelves.

ORDER#	PKG.	UNIT
3802.13.VE100	100	EACH

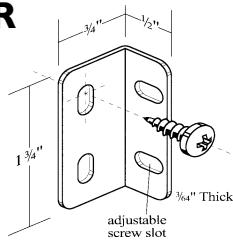


- Allows for independent adjustment for drawer front.
- 25mm hole.
- Sold by the each.



ORDER#	PKG.	UNIT
351-002-01-2662	200	EA

KOLBE KORNER

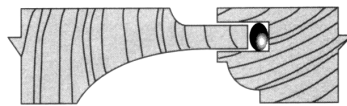
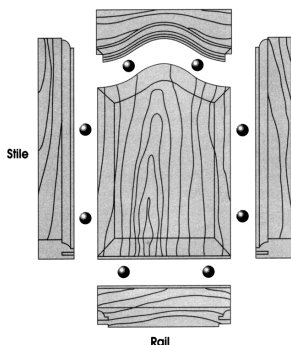


- Front-mounting bracket for Shaker-style drawers.
- Small, thin design, for a commercial environment.
- Screw pack includes cover caps for 50 ea of the Kolbe Korner.
- 50 per pack.



ORDER #	DESCRIPTION	PKG.	UNIT
KK.50PC.METAL.TN	KOLBE TAN	50	PK
KK.50PC.METAL.WH	KOLBE WHITE	50	PK
KK.MET50SCR.TAN	SCREWS, TAN	50	PK
KK.MET50SCR.WH	SCREWS, WHITE	50	PK

SPACE BALLS

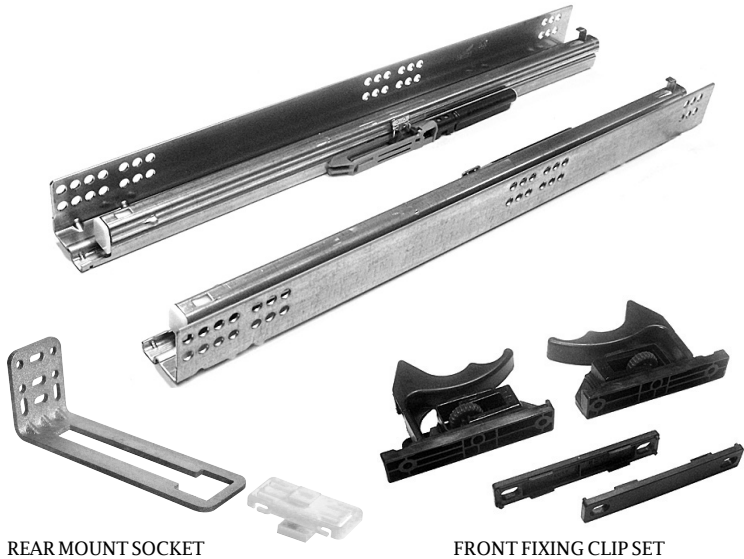


- Stops panel rattle.
- Eliminates cracking glue joints.
- 8-10 recommended per door.
- For best expansion joint, compress Space Balls to 1/2 their size after assembly.

ORDER #	DIAM.	PKG.	UNIT
260P-1M	1/4"	1000	BG
260P-5M	1/4"	5000	BG

SHS - One complete source for all of your finish hardware needs.

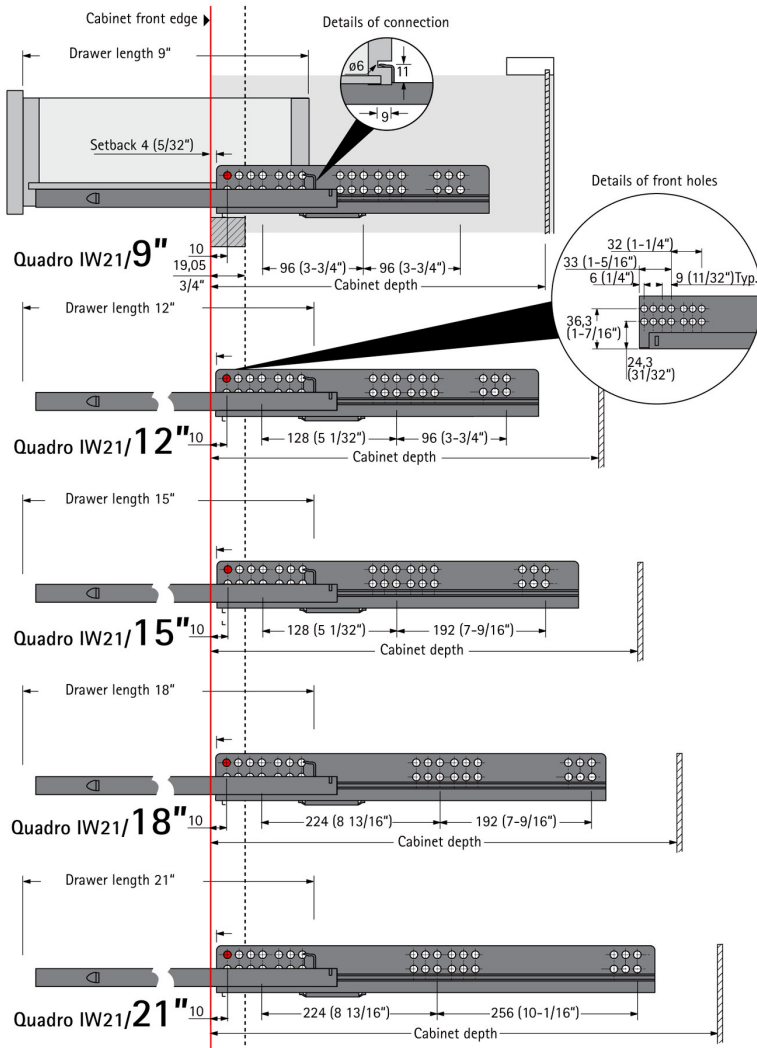
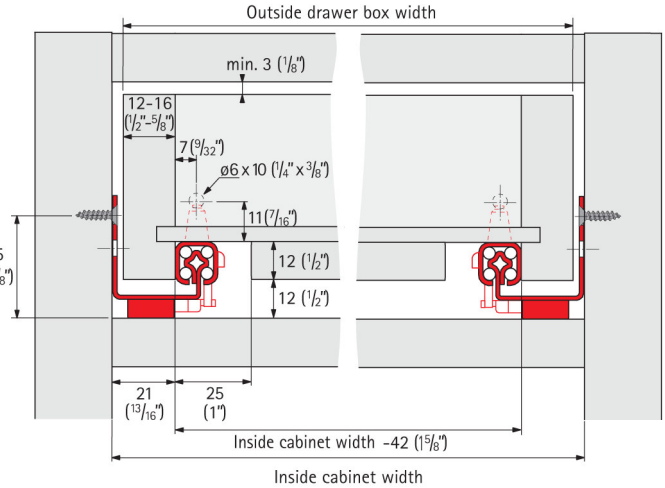
QUADRO V6 FULL-EXTENSION UNDERMOUNT SLIDES - 75 LB. DYNAMIC; 100LB. STATIC LOAD



REAR MOUNT SOCKET

FRONT FIXING CLIP SET

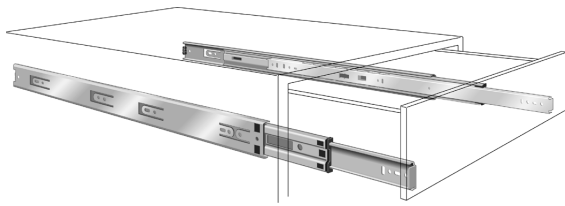
ASSEMBLY DRAWING - FRONT FIXING CLIP



- For face frame & frameless applications.
- Full-extension runner for wooden drawers.
- **Load capacity:** 75 lbs dynamic ; 100 lbs static.
- **Perfect vertical and lateral stability.** The robust, resilient tracks ensure optimal runner action through precision-guided steel balls.
- Maintenance-free through self-cleaning ball tracks.
- **Soft closure with selfclose** - the spring-operated mechanism acts independently of load and closes the drawer safely and automatically.
- **Slide-on assembly** - simply place the drawer on the runners and push in for connection.
- For 16 mm [5/8"] and 12mm [1/2"] drawer panel thickness (spacers included for 1/2" material).
- **Silent System:** the dampening device integrated in Quadro IW21 closes the drawer softly and soundlessly.
- **NOTE:** These slides fit the same drawer size and can be a "drop-in" replacement for the Blum Tandem Slides.

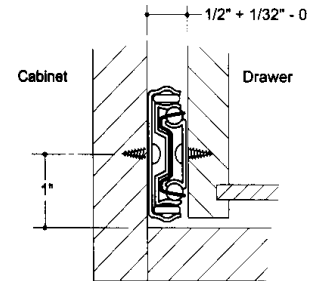
ORDER #	DRAWER BOX LENGTH	CABINET DEPTH	PKG.	UNIT
9 048 982	9" (228.6mm)	9-9/16" - 13-1/8" (249-314mm)	10	PR
9 048 740	12" (304.8mm)	12-3/4" - 15-3/8" (325-390mm)	10	PR
9 048 976	15" (381mm)	15-3/4" - 18-3/8" (401-466mm)	10	PR
9 048 793	18" (457.2mm)	18-3/4" - 21-3/8" (477-542mm)	10	PR
9 048 776	21" (533.4mm)	21-3/4" - 24-3/8" (553-618mm)	10	PR
8 099 0001	REAR HOLE JIG		10	EACH
9 026 839	FRONT FIXING CLIP SET (PAIR - 1LH, 1RH)		10	PR
9 055 093	REAR MOUNT SOCKET - EACH		10	EACH

8400/8405 PRECISION BALL-BEARING BOX & FILE DRAWER SLIDES - 100 LB. LOAD



- 8400: full extension; 8405: 1" overtravel.
- For drawers up to 24" wide.
- Side-mounting, for frame and frameless construction.
- Height: 1-13/16"
- Clearance: 1/2" plus 1/32" minus 0 each side.
- Zinc plated cold rolled steel.
- Progressive movement on precision steel ball bearings.
- 32mm hole pattern with direct access mounting; flexible mounting tabs self adjust to side clearance.
- 8400P/8405)-10 sets indiv. poly-bagged with screws.
- 8400B/8405B)-10 pairs per box; screws not included.
- Do not break boxes.

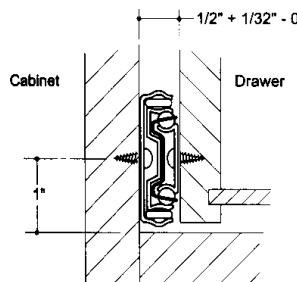
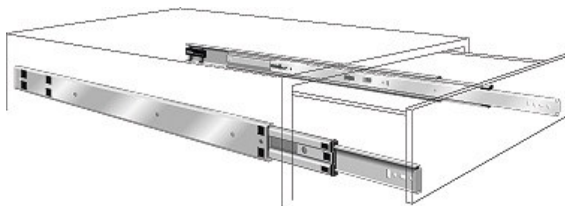
ORDER #	PKG.	UNIT
8400P-SIZE	10	PR
8405P-SIZE	10	PR
8405B-SIZE	10	PR
8400P-WH-SIZE	10	PR
8400B-WH-SIZE	10	PR



SIZES AVAILABLE IN PACKAGING SHOWN BELOW

FINISH	8"	10	12"	14"	16"	18"	20"	22"	24"	26"	28"
PACKAGED - (ZINC)	X	X	X	X	X	X	X	X	X	X	X
BULK - (ZINC)	-	X	X	X	X	X	X	X	X	X	X
PACKAGED - (WHITE)	-	-	-	-	-	X	X	X	X	-	-
BULK - (WHITE)	-	-	-	-	-	X	X	X	-	-	-

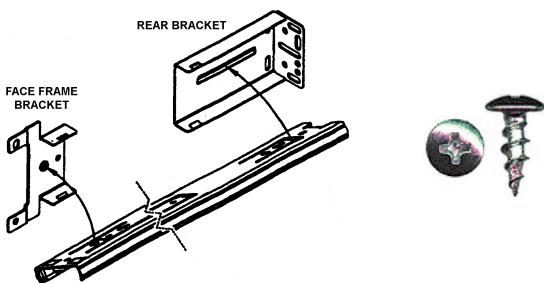
8419 SELF CLOSING PRECISION DRAWER SLIDES - 100 LB. LOAD



- Progressive, telescopic movement on precision steel ball bearings.
- Self-Close mechanism when drawer is in within 1-1/2" of closed position.
- Side mounting for frame and frameless construction.
- Non-Handed design with 32mm and traditional hole pattern.
- Height: 1-13/16". Clearance: 1/2", plus 1/32" minus 0" each side.
- Three ball bearings per inch and polymer stop cushions.
- Lever disconnect for easy drawer removal.
- Anochrome™ (ANO) - Electro zinc-plated and lacquered cold rolled steel.
- Drawer width should not exceed slide length.
- Sold by the pair, screws not included.

ORDER #	SIZE	FINISH	PKG.	UNIT
8417B12	12"	ZINC	10	PR
8419B14	14"	ZINC	10	PR
8419B16	16"	ZINC	10	PR
8419B18	18"	ZINC	10	PR
8419B20	20"	ZINC	10	PR
8419B22	22"	ZINC	10	PR
8419B24	24"	ZINC	10	PR
8419B26	26"	ZINC	10	PR

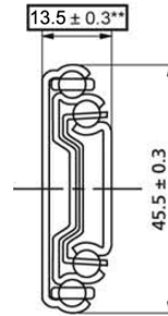
8400/8405/8419 BALL-BEARING SLIDE ACCESSORIES



- 8403: Non-handed, snap-on action; 2-3/4" max. adjustment.
- 8404: Non-handed, snap-on design.

ORDER #	DESCRIPTION	FINISH	PKG.	UNIT
8403	REAR MOUNTING BRACKET	ZINC	20	EACH
8404B	CLIP-ON FACE FRAME BRACKET	ZINC	100	EACH
5961	#8 x 7/16" #6 TRUSS HEAD SCREWS - (1000/BOX)	ZINC	1	BOX
8500-90-WH-50	#7 x 1/2" PAN HEAD SCREWS (20/BAG)	WHITE	50	BAG

GS4070 SOFT-CLOSE FULL-EXTENSION BALL-BEARING SLIDES - 100 LB. LOAD

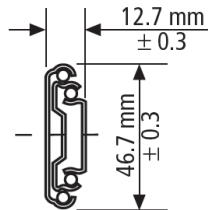


 **U.S. Futaba, Inc.**

- **Clearance:** 17/32" (13.5mm) +/- 0.3 per side.
- **Slide Height:** 1-13/16".
- Soft-Close function with oil cylinder.
- Over 1-1/4" (31mm) stroke of soft-close.
- Soft-close function built-in slide, easy for installation.
- Non-Handed disconnect release.
- Electro-zinc plated finish.
- Screw mounting system 32mm compatible.
- 7.7-8.1lbs. pull force for engaging opening.
- Load rating 100lbs. per pair.
- May be used with #5961 (#8x7/16" #6 truss head screws), sold separately.

ORDER #	SIZE	FINISH	PKG.	UNIT
GS4070-12 EZP	12"	ZINC	20	PR
GS4070-14 EZP	14"	ZINC	20	PR
GS4070-16 EZP	16"	ZINC	20	PR
GS4070-18 EZP	18"	ZINC	10	PR
GS4070-20 EZP	20"	ZINC	10	PR
GS4070-22 EZP	22"	ZINC	10	PR
GS4070-24 EZP	24"	ZINC	10	PR
GS4070-26 EZP	26"	ZINC	10	PR
GS4070-28 EZP	28"	ZINC	10	PR

NJ31733 ECONOMY BOX & FILE DRAWER SLIDES - 100 LB. LOAD



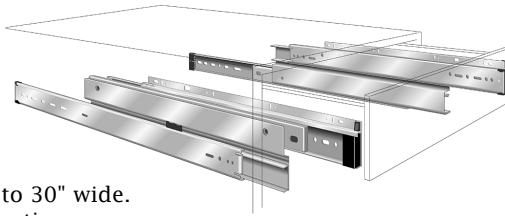
 **U.S. Futaba, Inc.**

- **Clearance:** 1/2" side spacing.
- **Height:** 1-13/16".
- 1-7/16" (28mm) overtravel.
- Unhanded trigger release.
- Hold-in detent.
- 32mm screw mounting system compatible.
- Face frame hole.
- For commercial and residential desk/credenza drawers, various institutional and contract applications.
- Sold by the pair, screws not included.
- May be used with #5961 (#8x7/16" #6 truss head screws), sold separately.

ORDER #	SIZE	FINISH	PKG.	UNIT
NJ31733-10EZP	10"	ZINC	10	PR
NJ31733-12EZP	12"	ZINC	10	PR
NJ31733-14EZP	14"	ZINC	10	PR
NJ31733-16EZP	16"	ZINC	10	PR
NJ31733-18EZP	18"	ZINC	10	PR
NJ31733-20EZP	20"	ZINC	10	PR
NJ31733-22EZP	22"	ZINC	10	PR
NJ31733-24EZP	24"	ZINC	10	PR
NJ31733-26EZP	26"	ZINC	10	PR
NJ31733-28EZP	28"	ZINC	10	PR

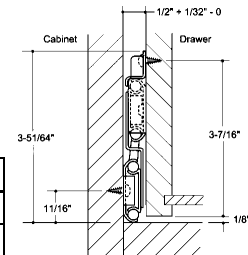
**New items are always being added.
Please call us if you need an item not listed.**

8505 FILE DRAWER SLIDES - 150 LB. LOAD



KNAPE & VOGT

- 1-1/2" overtravel drawer slides, for drawers up to 30" wide.
- Side-mounting, for frame and frameless construction.
- Height: 3-51/64".
- Clearance: 1/2" plus 1/32" minus 0 each side.
- Zinc plated cold rolled steel.
- Progressive movement on precision steel ball bearing.
- 32mm hole pattern for system mounting; hold-in feature.
- **8505P** - 5 sets individually poly-bagged with screws and instructions.
- **8505Q** - 10 LH cabinet members per box; 10 RH cabinet members per box; 20 QD strips (mounting rails) per box. Screws not included.



ORDER #	PKG.	UNIT
8505P-SIZE	5	SET
8505Q-SIZE	10	SET

SIZES AVAILABLE IN THE PACKAGING SHOWN BELOW

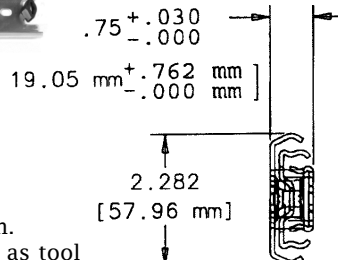
FINISH	12"	14"	16"	18"	20"	22"	24"	26"	28"	30"
PACKAGED - (ZINC)	X	X	X	X	X	X	X	X	X	X
Q-PACK - (ZINC)	-	-	X	X	X	X	-	-	-	-

8800 HEAVY DUTY FULL-EXTENSION DRAWER SLIDES - 200 LB. LOAD



KNAPE & VOGT

- **Clearance:** .75" (+.030-.000).
- **Height:** 2.282".
- Telescopic, full-extension action.
- Closed position hold-in detent.
- Side-mount, non-handed design for easy installation.
- Ideal for commercial & industrial applications such as tool boxes, truck bodies & work stations.
- Recommended hardware (not included): #10, 82° flat head machine screws on the cabinet channel. #10-32 x .50 with #8 slotted pan head screw on the drawer channel.
- Sold by the pair, screws not included.



ORDER #	SIZE	FINISH	PKG.	UNIT
8800B 18	18"	ZINC	4	PR
8800B 20	20"	ZINC	4	PR
8800B 22	22"	ZINC	4	PR
8800B 24	24"	ZINC	4	PR
8800B 26	26"	ZINC	4	PR
8800B 28	28"	ZINC	4	PR

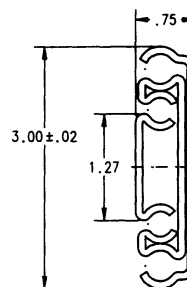
8900 EXTRA HEAVY DUTY FULL-EXTENSION DRAWER SLIDES - 180-500 LB. LOAD



KNAPE & VOGT

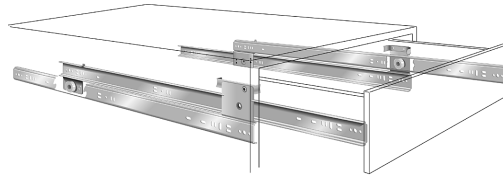
Features

- **180 to 500 lbs load, based on application:**
- Modest Use: 500lb.
- Normal Use: 400lb.
- Vehicular Use: 300lb.
- Flat Mount Use: 180lb.
- Side or flat mount, non-handed.
- **Clearance:** .75" (+.030-.000), **Height:** 3" (+.020, -.020).
- Telescopic, full-extension, ball bearing action.
- Closed position hold-in detent.
- Ideal for commercial & industrial applications such as vehicle large storage drawer applications.
- Recommended hardware (not included): #10, 82° flat head machine screws on the cabinet channel. #10 pan head screw on the drawer channel.
- Sold by the pair, screws not included.

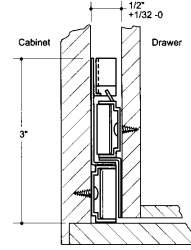


ORDER #	SIZE	FINISH	PKG.	UNIT
8900B 22	22"	ZINC	3	PR
8900B 24	24"	ZINC	3	PR
8900B 26	26"	ZINC	3	PR
8900B 28	28"	ZINC	3	PR
8900B 30	30"	ZINC	2	PR
8900B 32	32"	ZINC	2	PR
8900B 34	34"	ZINC	2	PR
8900B 36	36"	ZINC	2	PR
8900B 40	40"	ZINC	1	PR
8900B 42	42"	ZINC	1	PR
8900B 48	48"	ZINC	1	PR
8900B 60	60"	ZINC	1	PR

I 300 DRAWER SLIDES - 75 LB. LOAD



KNAPE & VOGT



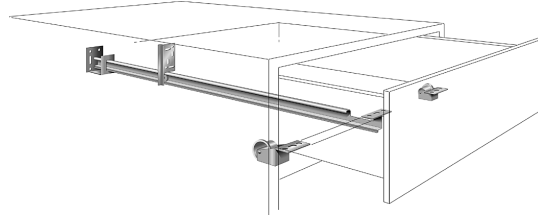
- 3/4 extension lever release drawer slide.
- Side mounting.
- Height: 3".
- Clearance: 1/2" plus 1/32" minus 0 each side.
- Zinc-plated cold rolled steel.
- Ball bearing nylon rollers.
- Mounts with pan head screws. Positive stop lever prevents accidental drawer removal.
- **1300P** - One set per polybag with screws and instructions. 10 sets per carton.
- **1300B** - 10 sets per carton with screws and instructions. Do not break cartons.

ORDER #	PKG.	UNIT
1300P-ZC-SIZE	10	PR
1300B-ZC-SIZE	10	PR

SIZES AVAILABLE IN THE PACKAGING SHOWN BELOW

FINISH	12"	14"	16"	18"	20"	22"	24"	26"	28"
BULK - (ZINC)	-	-	-	-	X	X	-	-	-
PKG. - (ZINC)	X	X	X	X	X	X	X	-	X

I 175 SINGLE-TRACK DRAWER SLIDE - 50 LB. LOAD

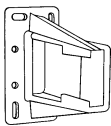


KNAPE & VOGT

- Under mount, 3/4 extension slides.
- Height: 1".
- Clearance: 1/8" each side; 1-1/2" from rear of drawer to cabinet; drawer to be 3/8" shallower than opening.
- Mounts with staples or screws.
- Mounting screws: #6 x 1/2" phillips panhead.
- High density polyethylene rollers.
- Packaging: **Poly Pack (1175P)** - One set per bag with screws and instructions. 10 sets per carton.

ORDER #	SIZE	FINISH	PKG.	UNIT
1175P18	18"	ZINC	10	SET
1175P20	20"	ZINC	10	SET
1175P2258	22-5/8"	ZINC	10	SET
1175P24	24"	ZINC	10	SET

REAR MOUNT SOCKET - FOR KV1284 EURO DRAWER SLIDES



- 2-5/8" L, white.
- Replacement drawer slide sockets for KV 1284 slides (nonstock).

ORDER #	PKG.	UNIT
1284-4L	200	EACH
1284-4R	200	EACH



KNAPE & VOGT

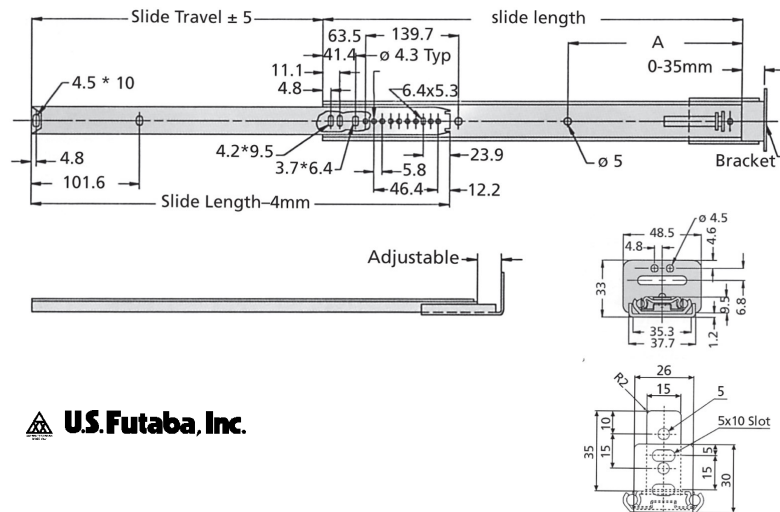
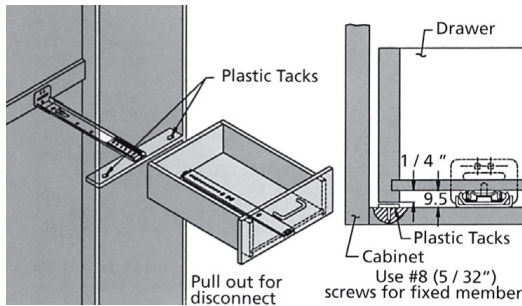
We offer a huge selection of decorative and functional hardware online. Visit our online catalog today at www.thehardwarehut.com



Hardware Hut.com

a division of Spokane Hardware Supply, Inc.

DS3508 CENTER MOUNT SLIDES - 35 LB. LOAD



U.S. Futaba, Inc.

- 3/4 extension, under mount slides.
- Friction disconnect.
- Plastic corner tacks.
- Rear mounting bracket to adjust cabinet depth.
- Mounts onto the existing cabinet frame.
- Minimum side space requirements and concealed hardware.

ORDER #	SLIDE LENGTH	FITS DRAWER LENGTH	FITS CABINET DEPTH	SLIDE TRAVEL	PKG.	UNIT
DS3508 14"	375MM	321-368MM	381-419MM	267MM	20	PR
DS3508 16"	425MM	372-419MM	432-470MM	305MM	20	PR
DS3508 18"	476MM	422-470MM	483-521MM	318MM	20	PR
DS3508 20"	527MM	473-521MM	533-572MM	368MM	20	PR
DS3508 22"	578MM	524-572MM	584-622MM	419MM	20	PR

BOTTOM MOUNT SLIDES



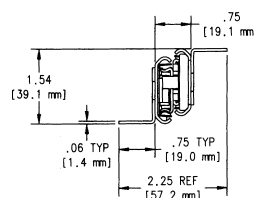
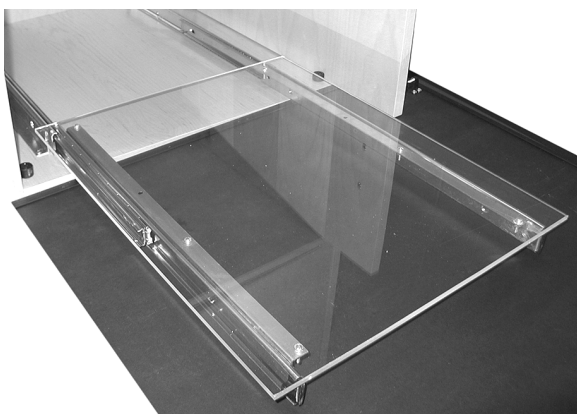
REV-A-SHELF

- Ball-bearing bottom mount slides for custom shelves.

ORDER #	LENGTH	COLOR	PKG.	UNIT
BM-3832-18W-52	18"	WHITE	1	PR
BM-3832-20W-52	20"	WHITE	1	PR
BM-3832-22W-52	22"	WHITE	1	PR

8000 UNDERMOUNT PANTRY SLIDE - 130 LB. LOAD

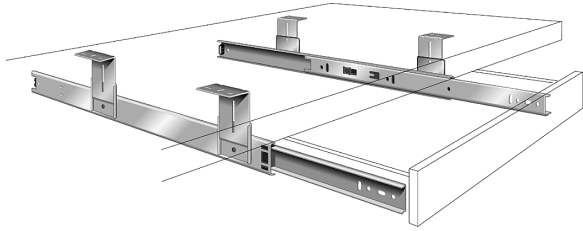
KN
KNAPE & VOGT



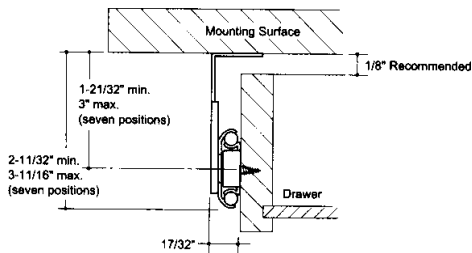
- Designed for use with kitchen pantries, computer and entertainment centers or where a pull-out shelf is needed.
- **Height:** 2.25"
- **Clearance:** .75" (With Brackets and Slide)
- **Load rating:** 130-Pound Class
- Telescopic slide action.
- **Overtravel:** Slide Length + .83".
- Hold-in detent helps prevent slide from creeping forward.
- Sold by the pair with screws & instructions.

ORDER #	LENGTH	COLOR	PKG.	UNIT
8000P 20	20"	ZINC	5	PR
8000P 22	22"	ZINC	5	PR
8000P 24	24"	ZINC	5	PR

8250 VARIABLE HEIGHT PENCIL (CENTER) DRAWER SLIDES - 75 LB. LOAD



- 3/4 Extension drawer slides, medium duty.
- Cabinet members mount to underside of desk top using adjustable brackets. Drawer members mount to pencil drawer.
- Overall drop height adjustable from 2-11/32" to 3-11/16" in 7/32" increments. Cabinet members must be mounted parallel to each other and perpendicular to case front.
- Total width of slide with brackets in outboard position is 1-5/8" per side. Width of slide with brackets inboard is 5/8" per side.
- Three precision steel ball bearing per inch of ball race.
- Stay-closed, hold-open drawer. Lever disconnect for installation.
- **8200P** - 10 sets individually poly-bagged with screws & instructions.
- **8200Q** - 20 LH cabinet members per box; 20 RH cabinet members per box; 40 QD strips (mounting rails) 20 per box. Screws not included. Do not break boxes.

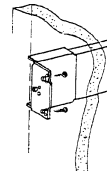
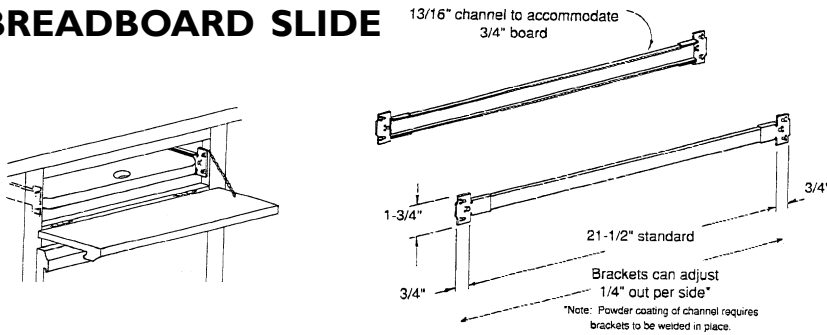


ORDER #	PKG.	UNIT
8250P-SIZE	10	PR

SIZES AVAILABLE IN THE PACKAGING SHOWN BELOW

FINISH	12"	14"	16"	18"	20"	22"	24"
PACKAGED - (ZINC)	X	X	X	X	X	X	-

BREADBOARD SLIDE



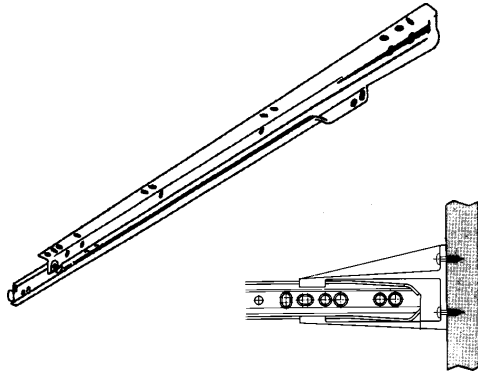
BRACKET CAN BE BENT 90° FOR FACE FRAME MOUNTING



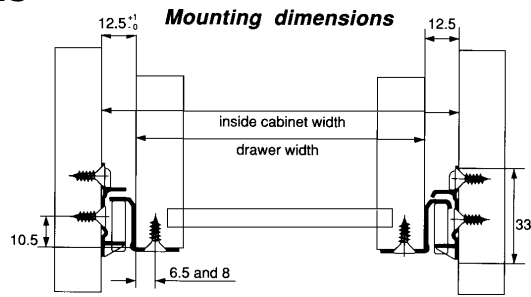
ORDER#	LENGTH	FINISH	PKG.	UNIT
121 21-1/2"	21-1/2"	ZINC	25	PR

New items are constantly being added to our stock. Please call us if you need an item not listed. Special orders are welcomed.

AL1702 EUROPEAN DRAWER SLIDES - 100 LB. LOAD



AL248 REAR MOUNT SOCKET



ORDER #	DESC.	PKG.	UNIT
1702.(SIZE).11	CREAM SLIDES	25	PR
1702.(SIZE).2	WHITE SLIDES	25	PR
AL248P-L	LH SOCKET	500	EA
AL248P-R	RH SOCKET	500	EA
949.044.04.8062	SLIDE GUN JIG	1	EA

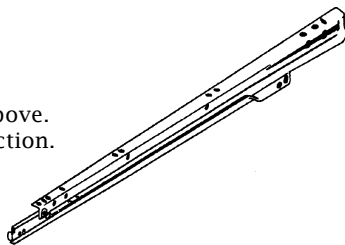
SIZES AVAILABLE IN FINISHES SHOWN BELOW

- Single extension slide with self-closing action.
- Bottom mounting.
- 12.5mm (1/2") side clearance.
- Epoxy coated finish.
- Sold in bulk boxes, (will break boxes).

FINISH	12" (300mm)	14" (350mm)	16" (400mm)	18" (450mm)	20" (500mm)	22" (550mm)	23" (575mm)
CREME-(11)	X	X	X	X	X	X	X
WHITE-(2)	X	X	X	X	X	X	X

AL1800 EUROPEAN DRAWER SLIDES - 125 LB. LOAD

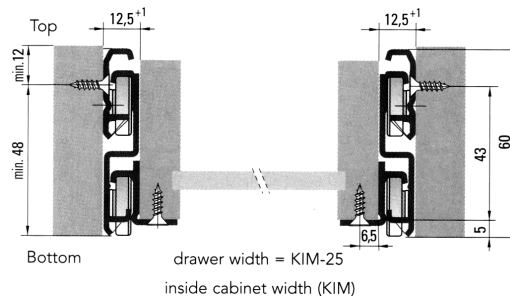
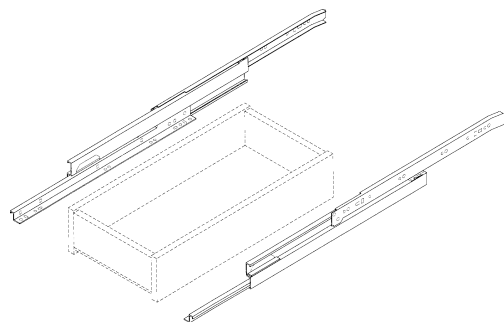
- Same mounting dimensions as AL1702 above.
- Single extension slide with self-closing action.
- Bottom mounting.
- 12.5mm (1/2") side clearance.
- Epoxy coated finish.
- Sold by the pair.



ORDER #	SIZE	FINISH	PKG.	UNIT
1800.600.2	24" - 600mm	WHITE	20	PR
1800.650.2	26" - 650mm	WHITE	20	PR
1800.700.2	28" - 700mm	WHITE	20	PR
1800.750.2	30" - 750mm	WHITE	20	PR
1800.800.2	32" - 800mm	WHITE	20	PR
949.044.04.8062	SLIDE GUN JIG		1	EA



AL5300 FULL EXTENSION EUROPEAN DRAWER SLIDES - 125 LB. LOAD

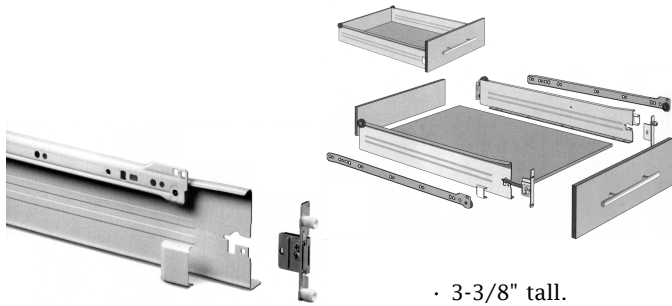


- Full extension slides with lateral stability.
- Self and parallel-closing.
- Bottom mounted.
- Mounting width (side clearance): 12.5mm (1/2").
- Double stop.
- System 32 compatible.

ORDER #	SIZE	FINISH	PKG.	UNIT
5300.400.2	16" - 400mm	WHITE	10	PR
5300.450.2	18" - 450mm	WHITE	10	PR
5300.500.2	20" - 500mm	WHITE	10	PR
5300.550.2	22" - 550mm	WHITE	10	PR
5300.600.2	24" - 600mm	WHITE	10	PR
949.044.04.8062	SLIDE GUN JIG		1	EA

AL9113 INTEGRA SYSTEM- 85mm (3-3/8") STANDARD DRAWER

GRASS®



Clip-on Front Fixing

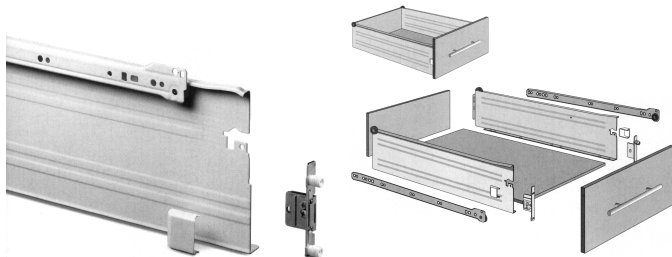
- Screw-on or doweled (shown).
- Inset fixing also available.

- 3-3/8" tall.
- Self-closing action.
- 100 lb. load capacity.
- Side clearance 31mm.

ORDER#	LENGTH	EXTENSION LOSS		QTY./CASE	UNIT
		AZV1	AZV2		
9113.350.2	14" - (350MM)	88	72	10	SET
9113.400.2	16" - (400MM)	101	85	10	SET
9113.450.2	18" - (450MM)	101	85	10	SET
9113.500.2	20" - (500MM)	101	85	10	SET
9113.550.2	22" - (550MM)	101	85	10	SET
9305.L.VE10	SCREW ON FRONT FIXING BRACKET - LEFT			10	EACH
9305.R.VE10	SCREW ON FRONT FIXING BRACKET - RIGHT			10	EACH
9306.L.VE10	DOWELED FRONT FIXING BRACKET - LEFT			250	EACH
9036.R.VE10	DOWELED FRONT FIXING BRACKET - RIGHT			250	EACH
9108.2.VE10	INSET FRONT FIXING BRACKET - (1LH, 1RH)			10	PAIR
9112.2.VE20	WHITE COVER CAP FOR FRONT FIXING			250	EACH

AL9313 INTEGRA SYSTEM- 149mm (5-7/8") TALL DRAWER

GRASS®



Clip-on Front Fixing

- Screw-on or doweled (shown).
- Inset fixing also available.

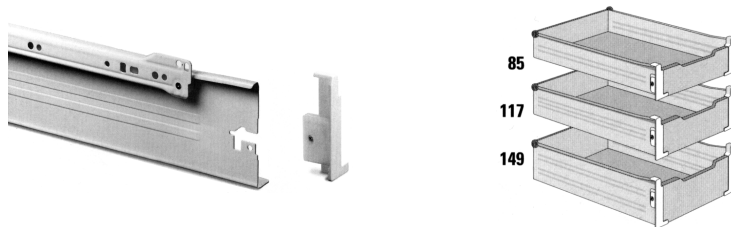
- 5-7/8" tall.
- Self-closing action.
- 100 lb. load capacity.
- Side clearance 31mm.

ORDER#	LENGTH	EXTENSION LOSS		QTY./CASE	UNIT
		AZV1	AZV2		
9313.400.2	16" - (400MM)	101	85	5	SET
9313.450.2	18" - (450MM)	101	85	5	SET
9313.500.2	20" - (500MM)	101	85	5	SET
9313.550.2	22" - (550MM)	101	85	5	SET
9305.L.VE10	SCREW ON FRONT FIXING BRACKET - LEFT			10	EACH
9305.R.VE10	SCREW ON FRONT FIXING BRACKET - RIGHT			10	EACH
9306.L.VE10	DOWELED FRONT FIXING BRACKET - LEFT			250	EACH
9036.R.VE10	DOWELED FRONT FIXING BRACKET - RIGHT			250	EACH
9308.2.VE10	INSET FRONT FIXING BRACKET - (1LH, 1RH)			10	PAIR
9112.2.VE20	WHITE COVER CAP FOR FRONT FIXING			250	EACH

INTEGRA FRONT FIXING PARTS FOR INSET DRAWER

- For use with 85, 117, and 149mm sides

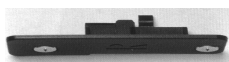
GRASS®



ORDER#	FOR USE WITH	PKG.	UNIT
9108.2.VE10	AL9113 - 85MM SETS	10	PAIR
9308.2.VE10	AL9318 - 149MM SETS	10	PAIR

MARKER JIGS

GRASS®

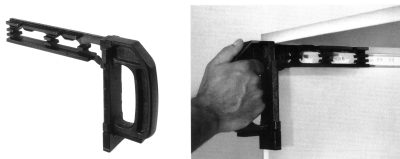


- **3960:** Front & quick drilling jig for use with different Integra applications; quick drilling 63/10 for Integra bottoms as well as for interior drawers.
- **3985.VE1:** Marker jig for front fixing parts for Integra Top53.
- **3986.VE1:** Marker jig for front fixing parts Clip-on, Slide-on, Fit-on.

ORDER#	PKG.	UNIT
3960	1	EACH
3985.VE1	1	EACH
3986.VE1	1	EACH

SLIDE GUN

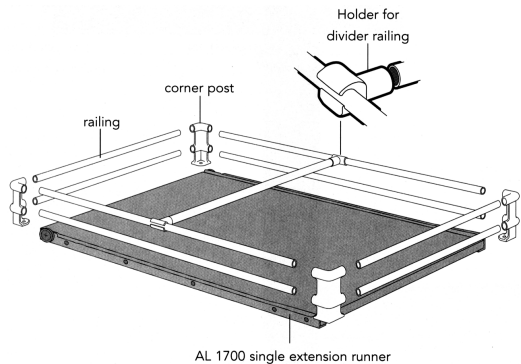
GRASS®



- Slide gun for Integra system.

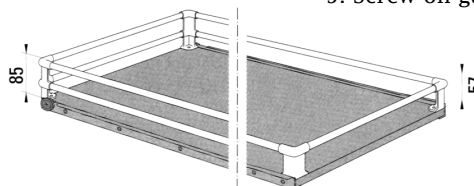
ORDER#	PKG.	UNIT
AL2115	1	EACH

PULL-OUT SHELF/GALLERY RAIL - (FOR USE WITH INTEGRA)



Length of cross rail

Bottom width -8 mm or
inside cabinet width (W) -33.

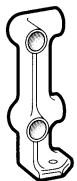


ASSEMBLY

1. Prepare bottom, slide length x (W-25).
2. Cut cross-rails to required length (W-33).
3. Use side rails in available lengths.
4. Assemble corner post and rails.
5. Screw on gallery surround to bottom.



AL 3577



AL 3576



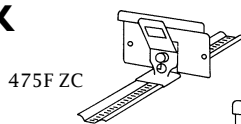
AL 3575



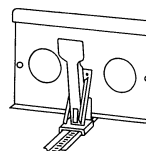
- **AL3500/550 Set Contents:** 2pcs. round, epoxy coated aluminum railing, 2pcs. front fixing parts, 2pcs. railing holder, 2 cover caps.

ORDER#	DESCRIPTION	FINISH	PKG.	UNIT
3500.550.2	550MM RAILING SET	WHITE	1	SET
3570.1000.2	1000MM RAILING (cut to size)	WHITE	1	EACH
3575.2.VE20	HOLDER FOR DIVIDER RAIL	WHITE	50	EACH
3576.2.VE20	SINGLE CORNER POST	WHITE	10	EACH
3577.2.VE20	DOUBLE CORNER POST	WHITE	10	EACH

INDEX FOLLOWER & TRACK



475F ZC



476F ZC



KNAPE & VOGT

- Recess 1-3/4" x 1/4" slot with 475 follower.
- Recess 2-1/4" x 1/4" slot with 476 follower.
- Note: Followers & track sold separately.

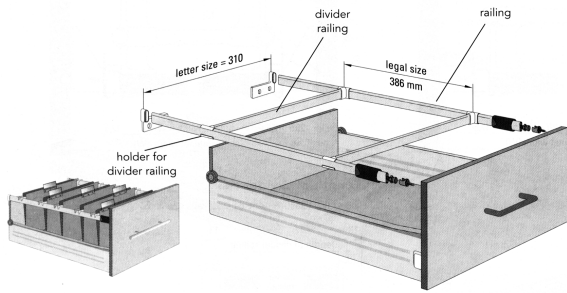
ORDER #	SIZE	PKG.	UNIT
475F ZC	2-11/16"H x 4-3/4"W	10	EACH
476F ZC	7-5/8"H x 10-3/4"W	10	EACH
476T ZC	26" TRACK	10	EACH

We offer a huge selection of decorative and functional hardware online. Visit our online catalog today at www.thehardwarehut.com

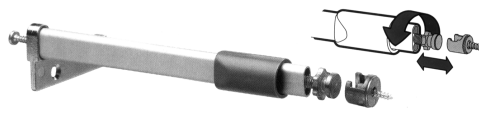


Hardware Hut.com
a division of Spokane Hardware Supply, Inc.

FILE DRAWER RAILING



Front tilt adjustment
by turning adjustment screw at front.



GRASS

- **AL3595/500 Set Contents:** 2pcs. railing, 2pcs. front fixing parts, 2pcs. railing holder, 2 cover caps, screws & dowels.

ORDER#	DESCRIPTION	FINISH	PKG.	UNIT
3595.500.22	500MM FILE RAILING SET	ANO.	1	SET
3595.550.22	550MM FILE RAILING SET	ANO.	1	SET
3597.1200.22	1200MM DIVIDER RAILING	ANO.	1	EACH
3599	HOLDER FOR DIVIDER RAIL	GRAY	1	EACH

SNAP-ON FILE DRAWER RAILING



- 2311.003.60: 1/2" side x 96"L hanging file rail.
- SR-BLK-4800: 1/2"H x 1/8"W cross file bar.
- 94010-003U: Connector clip for cross rail bar.

KELLER

ORDER#	DESCRIPTION	FINISH	PKG.	UNIT
2311.003	1/2" x 96"L FILE RAIL	BLACK	1	EACH
SR-BLK-48000	48"L CROSS FILE BAR	BLACK	1	EACH
94010.003U	CROSS RAIL CLIP	BLACK	1	EACH

FILE DRAWER SYSTEM

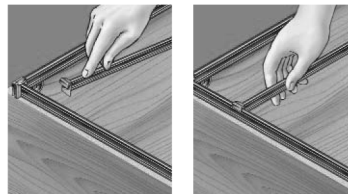


REV-A-SHELF

- **Set Contains:** Letter/legal file drawer systems with T-Rod divider to allow both legal and letter file storage.
- **SMFD:** 13"W x 19-1/4"L x 9-3/4"H.
- **LGFD:** 15-7/8"W x 19-1/4"L x 9-3/4"H.

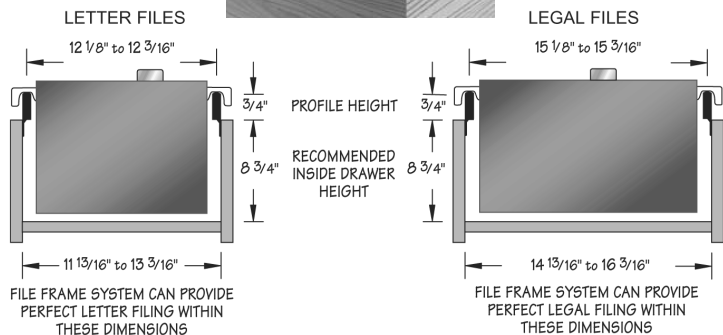
ORDER#	DESCRIPTION	FINISH	PKG.	UNIT
SMFD-52	LETTER FILE SYSTEM	BLACK	1	SET
LGFD-52	LEGAL FILE SYSTEM	BLACK	1	SET

FILE DRAWER RAILING



CompX
TIMBERLINE

Fits easily into place and slides smoothly to desired lock-in filing configuration



- **FFSK2-LT:** 12-1/8" - 12-3/16" W.
- **FFSK3-LG:** 15-1/8" - 15-3/16" W.
- **Set Contents:** Cut to size (fits drawers less than 23" long) letter/legal file drawer systems with T-Rod divider.
- Attractive black finish, mounts easily with screws.
- Easy to adjust between legal and letter positions, components snap in out without tools.

ORDER#	DESCRIPTION	FINISH	PKG.	UNIT
FFSK2-LT	LETTER FILE RAIL KIT	BLACK	1	SET
FFSK3-LG	LEGAL FILE RAIL KIT	BLACK	1	SET

KV8092 4X4 POCKET DOOR SLIDES - 75 LB. LOAD



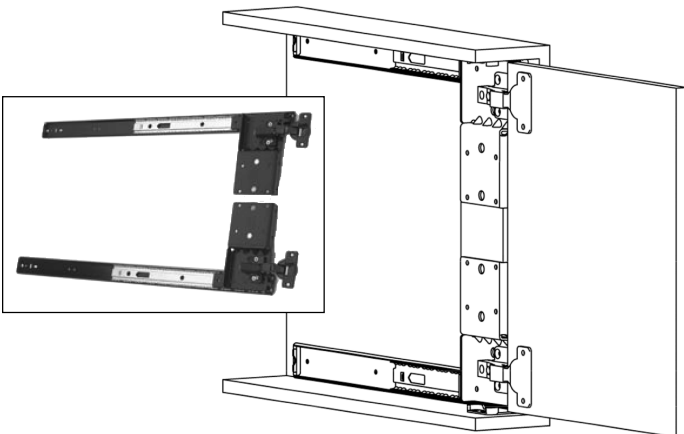
KNAPE & VOGT



ORDER#	DESCRIPTION	PKG.	UNIT
SLIDES			
8092 EB 18	18" POCKET SLIDES	10	PR
8092 EB 20	20" POCKET SLIDES	10	PR
8092 EB 22	22" POCKET SLIDES	10	PR
8092 EB 24	24" POCKET SLIDES	10	PR
8092 EB 26	26" POCKET SLIDES	10	PR
8092 EB 28	28" POCKET SLIDES	10	PR
8092 EB 30	30" POCKET SLIDES	10	PR
SHAFTS			
8090B EB 36	36" SHAFT	2	EACH
8090B EB 48	48" SHAFT	2	EACH
8090B EB 72	72" SHAFT	2	EACH
HINGES/ACCESSORIES			
8080 S	INSET (STANDARD)	10	PR
8080 F	INSET FREE SWING	10	PR
8080 L	OVERLAY (5/16" MAX)	10	PR
8085 T	INSET THICK DOOR (1")	10	PR
8086 X	INSET EX THICK DOOR (1-1/4")	10	PR
8090P CR	RAISED PANEL CASSETTE ROLLER	10	EA

- **Maximum door dimensions:** 72" H x 26" W.
- **Load Rating:** 75lbs.
- Ideal for use in entertainment and home theater cabinets.
- Specially designed to hold heavy, extra large doors.
- Dual rack and pinion system virtually eliminates door sag, speeds installation and minimizes adjustment.
- Self-closing three-way adjustable isometric door hinge.
- Door slide nests within door rack for easy alignment and installation.
- **Packaged:** 1 set per pack with screws & instructions; **hinges & shafts must be ordered separately.**
- Ebony Black™ electro zinc - plated lacquer finish.

8070 POCKET DOOR SLIDES - 30 LB. LOAD

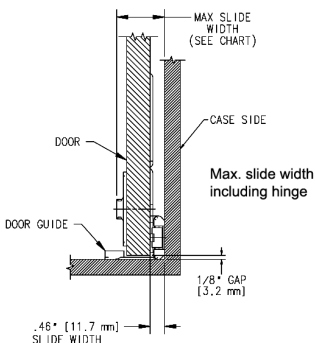


- For use in entertainment and home theater cabinets.
- Specially designed to install quickly & easily. Unique slide design allows the cabinet to act as an installation jig. The follower strip bracket allows for the follower strip to be installed after the slides are installed. No need to pre-mount the follower strip to the slides.
- Maximum door dimension: 24" x 42", 30lbs.
- Standard with self-closing, three-way adjustable isometric door hinge, pre-mounted for faster installation.
- Single movement, on precision steel ball bearings.
- **NOTE:** Slides lose 4" on installation; so slides should be 4" longer than door width for door to fully recess into cabinet.
- **Packaging:** 1 set of slides per pack with mounting hardware. Includes 1 pair of standard inset hinges & hinge bases.
- Optional hinge packs sold per pair.
- Black (ebony) finish.

ORDER #	DESCRIPTION	PKG.	UNIT
8070PEZ-(SIZE)	PIVOT SLIDES - WITH INSET HINGES	10	PR
OPTIONAL HINGES			
8080 F	HINGE - INSET, FREE SWING	10	PR
8080 L	HINGE - OVERLAY 5/16" MAX	10	PR
8085 T	HINGE - INSET, FOR 1" THICK DOOR	10	PR
8086 X	HINGE - INSET, FOR 1-1/4" THICK DOOR	10	PR

SIZES AVAILABLE IN PACKAGING SHOWN BELOW

FINISH	12"	14"	16"	18"	20"	22"	24"
PACKAGED-(EBONY)	X	X	X	X	X	X	X



Max. Slide width Including hinge for partition applications
8080, 8080F, 8080L: 1-23/32"
8085T: 2-3/32"
8086X: 2-13/32"

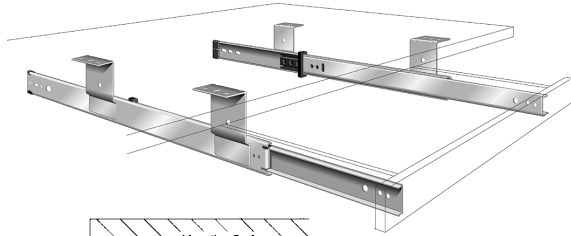


KNAPE & VOGT

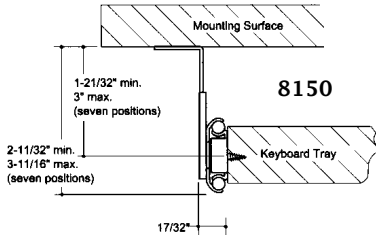
8150/8157 VARIABLE HEIGHT KEYBOARD DRAWER SLIDES - 75 LB. LOAD



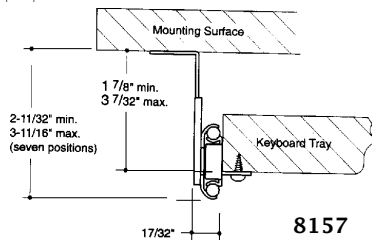
KNAPE & VOGT



- 3/4 extension medium duty drawer slides.
- Cabinet members mount to underside of desk top. Drawer members side-mounted.
- Overall drop height is adjustable from 2-11/32" to 3-11/16" in 7/32" increments. Cabinet members must be mounted parallel to each other and perpendicular to case front.
- Width of slide with brackets in outboard position is 1-5/8" per side. Width of slide with brackets in inboard position in 5/8" per side.
- 3 precision steel bearings per inch.
- Friction detents "locks" slide at open & closed positions.
- 7-position drop bracket for mounting.
- Lever-disconnect for easy installation & removal of tray.
- **8150P/8157P** - 10 sets individually poly-bagged with screws and instructions.



8150



8157

ORDER #	PKG.	UNIT
8150P-SIZE	10	PR
8157P-SIZE	10	PR

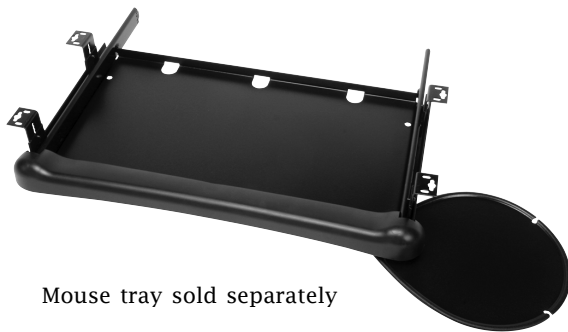
SIZES AVAILABLE IN PACKAGING SHOWN BELOW

FINISH	14" (350mm)	16" (400mm)	18" (450mm)	20" (500mm)
PACKAGED - (ZINC)	X	X	X	X

KD-100 KEYBOARD SLIDE WITH TRAY



KNAPE & VOGT



Mouse tray sold separately

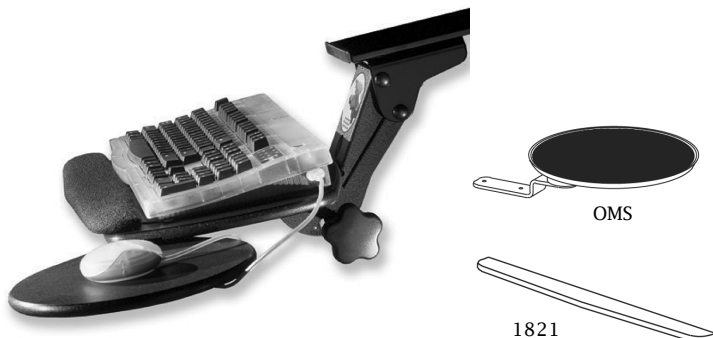
- 18" keyboard slide with lock-out feature.
- Brackets mount in "outboard" position under work surface for application widths 23" or greater, and in the "inboard" position for widths less than 23".
- Adjustable - seven positions from 2.25" to 3.6".
- Fits 24" wide knee space under desk or work surface.
- Cushioned palm rest wraps around front edges of tray for comfort.
- 75 lb. load rating.

ORDER #	DESCRIPTION	FINISH	PKG.	UNIT
KD-100	KEYBOARD TRAY	BLACK	1	SET
KD-010	MOUSE TRAY	BLACK	1	SET

SD-1 ADJUSTABLE KEYBOARD SYSTEM - VALUE SERIES



KNAPE & VOGT



- Single knob control for both height & tilt.
- 9-3/4" Overall height adjustment.
- 15° +/- tilt; 360° Swivel.
- 18" EZ-Glide Slide Track; Cable Management.
- 20" Slim profile plastic platform w/non-skid keyboard pads.

OPTIONAL ACCESSORIES

- **1821 Wrist Rest:** features durable fabric covering.
- **OMS Swivel Mouse Tray:** smooth mouse operation; includes built-in cable management; non-handed.

ORDER#	DESCRIPTION	COLOR	PKG.	UNIT
SD-1	KEYBOARD ARM	BLACK	1	EACH
OMS	SWIVEL MOUSE TRAY	BLACK	1	EACH
1821	WRIST REST	BLACK	1	EACH

SD-10 KEYBOARD SUPPORT - INTUITIVE, EASY ADJUST



NEW!

- Intuitive, single paddle adjustment.
- Tilt and Swivel mouse.
- 20" Comfort plus trimline keyboard platform with 18" gel palm rest.
- Rigid light-weight design; non-skid surface.
- 18" KEYNETIX® EZ-Glide Slide Track System.
- 15° +/- tilt; 360° Swivel.
- 9-3/4" Overall height adjustment.
- 15° +/- tilt; 360° Swivel.



KNAPE & VOGT

ORDER#	COLOR	PKG.	UNIT
SD-10	BLACK	1	EACH

SD-14 KEYBOARD SUPPORT - INTUITIVE, EASY ADJUST



NEW!

- Intuitive, single paddle adjustment.
- 25"x10" slim-profile keyboard/mouse platform with 25" Gel wrist rest.
- 18" KEYNETIX® EZ-Glide Slide Track System.
- 15° +/- tilt; 360° swivel.
- One-piece, in-line platform for right or left hand mousing.
- 9-3/4 overall height adjustment.
- Phenolic construction



KNAPE & VOGT

ORDER #	COLOR	PKG.	UNIT
SD-14	BLACK	1	EACH

SD-3 KEYBOARD SUPPORT - VALUE SERIES



NEW!

- Simple knob adjustment.
- 18" gel palm rest.
- 20" slim-profile keyboard platform.
- Swivel Mouse.
- Rigid light-weight design; non-skid surface.
- 18" Optimal Mechanism Track System.
- 15° +/- tilt; 360° Swivel.
- 9-3/4" Overall height adjustment.
- 15° +/- tilt; 360° Swivel.



KNAPE & VOGT

ORDER #	COLOR	PKG.	UNIT
SD-3	BLACK	1	EACH

SD-4 KEYBOARD SUPPORT - VALUE SERIES



NEW!

- Simple knob adjustment.
- 25"x10" slim-profile keyboard/mouse platform with 25" Gel wrist rest.
- 18" KEYNETIX® Track System.
- Intuitive, single paddle adjustment.
- One-piece, in-line platform for right or left hand mousing.
- 15° +/- tilt; 360° swivel.
- 9-3/4 overall height adjustment.
- Phenolic construction



KNAPE & VOGT

ORDER #	COLOR	PKG.	UNIT
SD-4	BLACK	1	EACH

SHS - One complete source for all of your finish hardware needs.

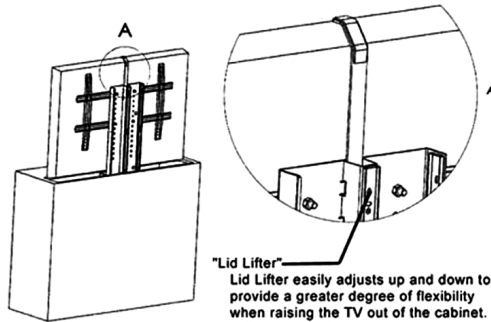
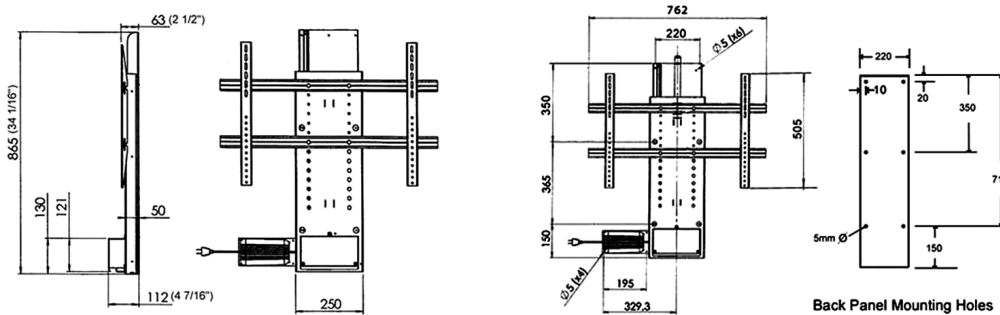
I388 TV SWIVEL/TURNTABLE SLIDE



- Accomodates up to 36" diagonal TV's.
- 360° swivel action allows optimum viewing angle.
- 16" x 16" metal plate can accomodate a wooden platform to match cabinet interior.
- Ball-bearing slides.
- Includes all mounting hardware.
- **Platform Size:** 16" x 16".
- **Overall Dimensions:** 17-5/16"W x 2-7/16"H
- **Slide Length:** 15-1/2".
- **Slide Travel:** 14".
- **Load Rating:** 225lbs.

ORDER #	DESCRIPTION	LOAD RATING	FINISH	PKG.	UNIT
1388	FULL EXTENSION	225LB.	BLACK	1	EACH

WHISPER-RIDE FLAT SCREEN/PLASMA TV LIFT



- The Whisper-Ride features a unique patent pending stability system and a German Bosch motor for reliable and quiet operation. When mounted inside a cabinet, is capable of raising or lowering a flat screen TV of up to 200 lbs., concealing it or revealing it at the touch of a button. Simple and fast mounting.
- This motorized electric lift is supplied with universal mounting brackets for the TV, a special cabinet lid lifter, a push button remote control and a mountable manual push switch.
- **Load Rating:** 200lbs.
- **Maximum TV Size:** 50in.(1270mm)
- **Vertical Travel:** 29-1/2in.(749mm)
- **Cabinet Requirements:** Whisper-Ride requires only 2-3/4" of depth behind the TV and measures less that 10 inches wide.

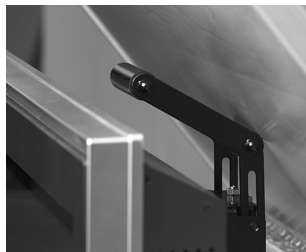
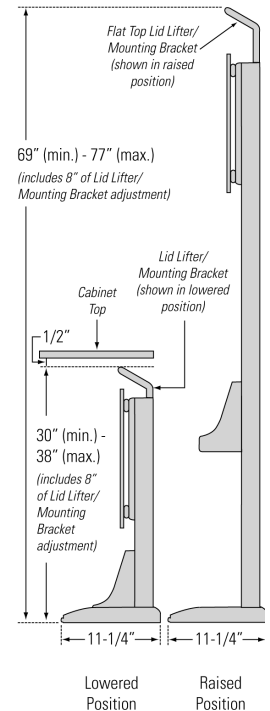
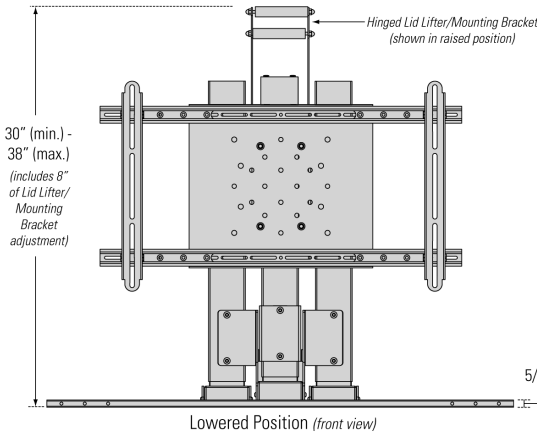
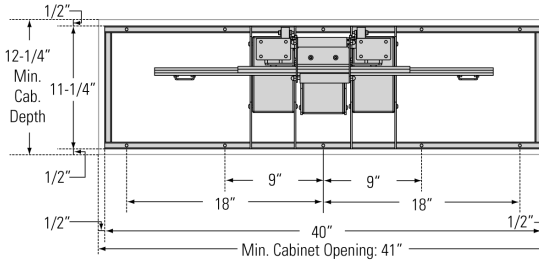
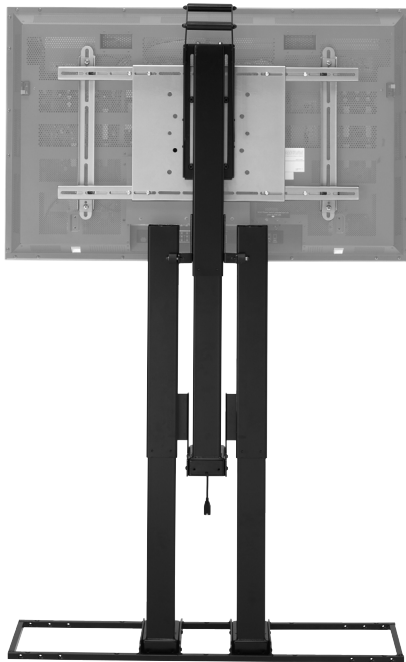
ORDER #	DESCRIPTION	FINISH	PKG.	UNIT
WT4050.845.060	PLASMA TV LIFT	BLACK	1	EACH



PTVL-1 FLAT PANEL/PLASMA TV LIFT

NUMBER	MAX. TV SPECIFICATIONS	TRAVEL DISTANCE	LIFT SPEED	FINISH
PTVL-1	60" Wide* / 150 lbs.	39"	1-1/4" per Sec.	Black Powder-Coat
RECOMMENDED CABINET DIMENSIONS		MASTER CARTON SIZE	SHIPPING WEIGHT	
Width:	MIN. 41" MAX. TV Width* + 6"	Width: 43-7/8" Depth: 14-3/8" Height: 26-3/4"	87 lbs.	
Depth:	12-1/4" TV Depth* + 1"		CURRENT DRAW	
Height (lowered position):	30-1/2" 38-1/2"		Less than 3 AMPS	

* Include any additional items (i.e. speakers, electronics, etc.), if any, being secured to the TV and/or TV Lift when calculating TV Width and TV Depth measurements.



roller-hinged lid lifter detail view

Special Order
(allow 2-4 weeks for delivery)

Installation Notes

- PTVL fastens to bottom and/or side of cabinet with (12) #10 x 1-1/4" Phillips drive screws (included with hardware pack)
- Base material must be min. 1" thick with screw retention to support 235 lbs.
- Cabinet will require ventilation > 10 CFM for adequate heat dissipation
- Motor control box should be mounted for future accessibility
- Motor control box mounts with (4) #10-1" Phillips drive screws (included)
- I/R receiver must be visible for line of sight remote control unit

Warranty Period: One year for all lift device components.

- With the touch of a button, the KV TV Lifts raise a flat screen television up and out of a cabinet in one fluid, whisper-quiet movement.
- Special software monitors the speed and leveling of the lift mechanism to provide a smooth motion that doesn't jar or vibrate.
- Custom anti-crush software, with auto-reverse feature.
- Programmable up-stop capability and impulse drive for soft starts & stops.
- Mountable hardware up/down switch.
- Infra-Red Extension Eye - Mounts for line-of-sight remote control operation
- Universal TV Mounting Bracket - Fits virtually every flat panel TV on the market
- Includes Roller-Hinged Lid Lifter.
- 3-column, screw driven actuators further maintain stability of entire unit.
- UL recognized lift device components.
- Pre-Assembled Base Unit Allows for slide-in or drop-down installation
- Footprint ensures stability; modular sub-cabinet construction for easy installation.
- **Load Rating:** 150lbs.
- **Maximum TV Size:** 60"
- **Vertical Travel:** 39"

ORDER #	DESCRIPTION	FINISH	PKG.	UNIT
PTVL-1	PLASMA TV LIFT	BLACK	1	EACH

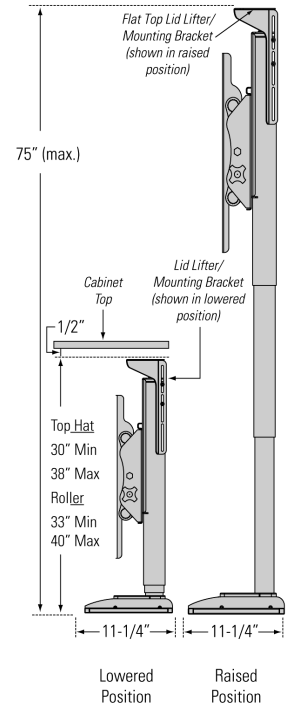
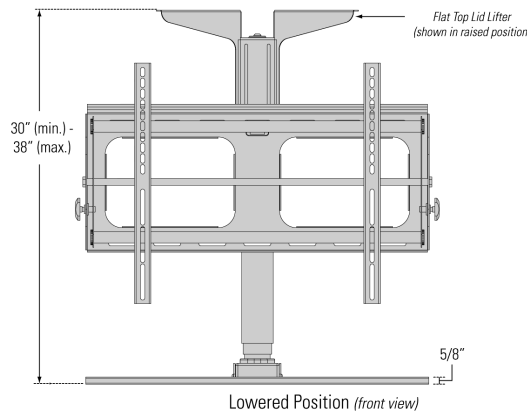
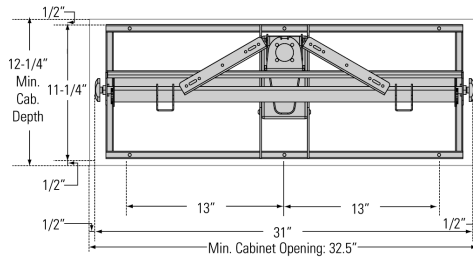
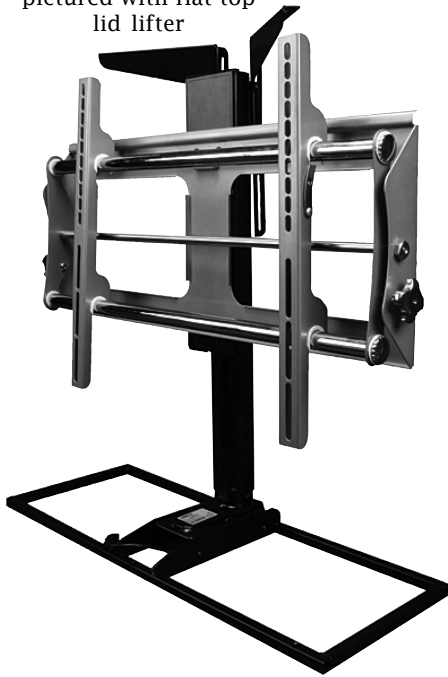


PTVL-2 FLAT PANEL/PLASMA TV LIFT

NUMBER	MAX. TV SPECIFICATIONS	TRAVEL DISTANCE	LIFT SPEED	FINISH
PTVL-2	56" Wide*/ 100 lbs.	37"	1-1/2" per Sec.	Black Powder-Coat
RECOMMENDED CABINET DIMENSIONS		MASTER CARTON SIZE		SHIPPING WEIGHT
	<u>MIN.</u>	<u>MAX.</u>		56 lbs.
Width:	32-1/2"	TV Width* + 6"	Width: 43-7/8"	CURRENT DRAW
Depth:	12-1/4"	TV Depth + 8-1/4"	Depth: 14-3/6"	
Height (lowered position):	**	38"	Height: 26-3/4"	
				Less than 3 AMPS

* Include any additional items (i.e. speakers, electronics, etc.), if any, being secured to the TV and/or TV Lift when calculating TV Width and TV Depth measurements.
 ** Minimum height = 31" for Flat Top Lid Lifter or 33" for Hinged Lid Lifter. Maximum height = TV Height + 4" up to 37"

pictured with flat-top lid lifter

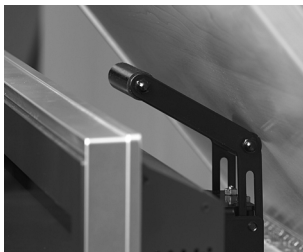


Installation Notes

- PTVL fastens to bottom (6) #10 x 1-1/4"
- Phillips drive screws (included with hardware pack)
- Base material must be min. 1" thick with screw retention to support 200 lbs.
- Cabinet will require ventilation > 10 CFM for adequate heat dissipation
- Motor control box should be mounted for future accessibility
- Motor control box mounts with (4) #10-1" Phillips drive screws (included)
- I/R receiver must be visible for line of sight remote control unit

Warranty Period: One year for all lift device components.

- With the touch of a button, the KV TV Lifts raise a flat screen television up and out of a cabinet in one fluid, whisper-quiet movement.
- Special software monitors the speed and leveling of the lift mechanism to provide a smooth motion that doesn't jar or vibrate.
- Custom anti-crush software, with auto-reverse feature.
- Programmable up-stop capability and impulse drive for soft starts & stops.
- Mountable hardware up/down switch.
- Infra-Red Extension Eye - Mounts for line-of-sight remote control operation
- Universal TV Mounting Bracket - Fits virtually every flat panel TV on the market
- Includes Flat Top Lid Lifter and Roller-Hinged Lid Lifter options.
- Rotating column provides 5° and 20° rotation settings.
- UL recognized lift device components.
- Pre-Assembled Base Unit Allows for slide-in or drop-down installation
- Footprint ensures stability; modular sub-cabinet construction for easy installation.
- **Load Rating:** 100lbs.
- **Maximum TV Size:** 56"
- **Vertical Travel:** 37"



roller-hinged lid lifter detail view

Special Order
(allow 2-4 weeks for delivery)



ORDER #	DESCRIPTION	FINISH	PKG.	UNIT
PTVL-2	PLASMA TV LIFT	BLACK	1	EACH

